

It's Time...



To Take Advantage Of FLSmidth's Special Promotion and Upgrade Your 1-Piece Fuller-Kinyon® Screw Pump to the 3-Piece Design.

Here's The Deal

For a limited time, FLSmidth is offering a very special promotional discount on a 3-piece upgrade for Fuller-Kinyon® 1-piece screw pumps. When you purchase the set of drive and discharge end bearing housing assemblies (Hot Swaps) together, you will receive a 10% discount and the 3-piece screw will be supplied **at no charge**. Your plant may purchase as many of these 3-piece upgrade kits as needed to convert your Fuller-Kinyon® 1-piece screw pumps.

This special offer is only available for 1-piece 150M, 200M, 250M, 300M, 350M Fuller-Kinyon® Pumps.

Here's The Pricing

Fuller-Kinyon Pump Size	*Drive End Bearing Assembly	*Discharge End Bearing Assembly	3-Piece Pump Screw	Final Upgrade Price
150M	\$9,211.00	\$8,019.00	No Charge	\$17,230.00
200M	\$10,899.00	\$9,659.00	No Charge	\$20,558.00
250M	\$10,692.00	\$9,716.00	No Charge	\$20,408.00
300M	\$14,896.00	\$13,299.00	No Charge	\$28,195.00
350M	\$18,068.00	\$15,489.00	No Charge	\$33,557.00

*Includes 10% discount off list price

Here's the Fine Print

- This special offer is only offered to convert Fuller-Kinyon® 1-piece Pumps to 3-piece.
- The program bearing housings and screws are not to be stocked as spare parts.
- The kit must be installed in the FK Pump within 60 days of receiving equipment.
- The plant must show evidence that the used 1-piece screw has been destroyed to receive the promotional pricing (cut used 1 piece screw in half at the drive end and send photo to CSR)
- The free screw is FLS's standard with hard faced screw flights. The free screw can be any of our standard sizes.
- Please allow up to 10 weeks for delivery.
- This offer will expire 12/31/19.

Formal Quotes and Ordering

Please reply to the email from your CSR that is managing this promotion or call 1-800-795-6825. Please provide the following information:

- FK Pump serial number
- FK Pump size
- Current 1 piece screw pitch size and/or part number
- List of other parts needed at this time

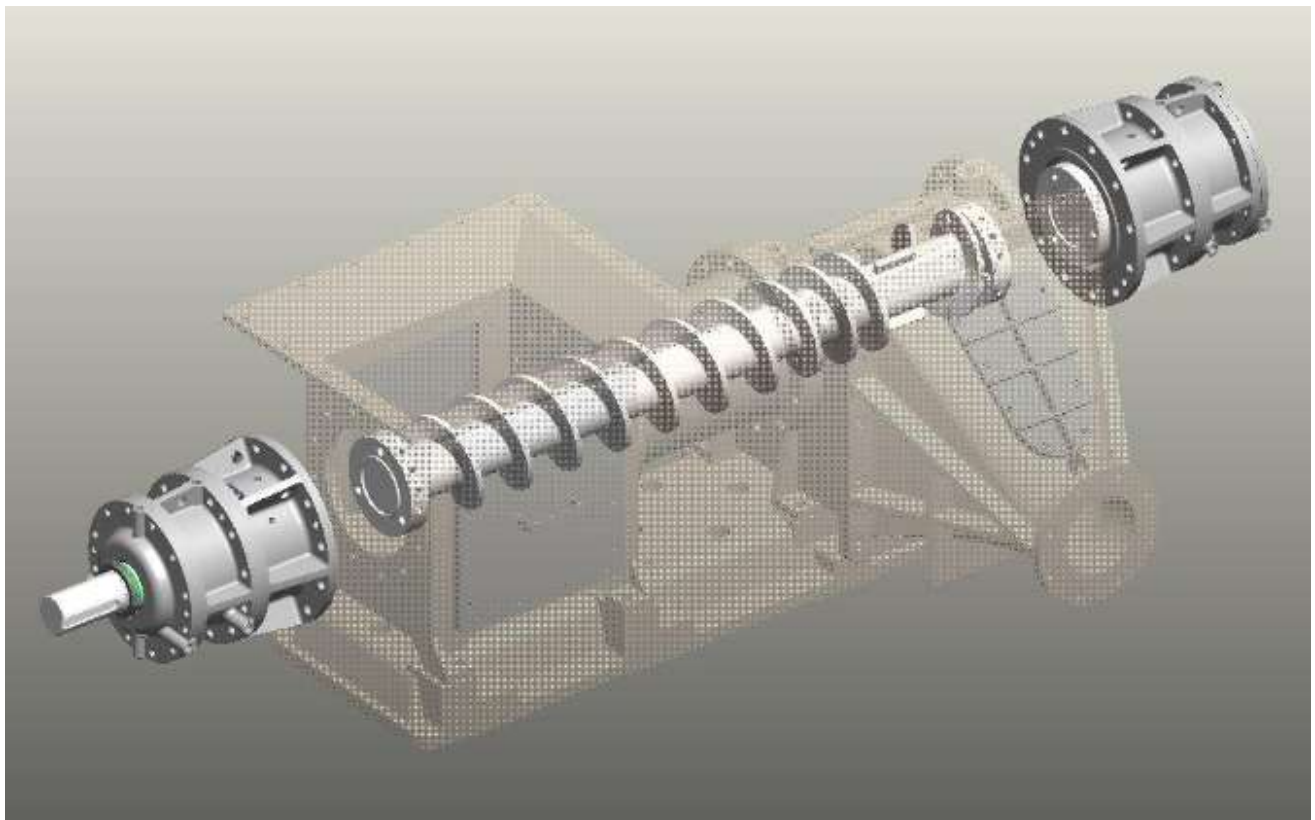
Here's the Advantages:

3-piece bearing housings assemblies are eligible for our "hot swap" exchange program which will allow for an immediate delivery of a new/reconditioned bearing housing(s) from one of our regional warehouses. This exchange program will enable you to trade in used hot swaps for inspection and disposition which could allow for a 40% - 10% price discount (based on casting/shaft condition). 3-piece screw users agree that stocking hot swap assemblies on site spares is a great advantage. Hot swap bearing housings will carry a 1 year warranty.

3-piece bearing housings are eligible for our alternate grease rebuild program which offers the rebuild of your bearing housing utilizing your plant's grease. Inspection and disposition of your used bearing housing could also allow for a 40% - 10% price discount (based on casting/shaft condition). Alternate grease rebuilds will carry a 1 year warranty.

"Hot Swaps" greatly reduce unscheduled down time. There is no need to intrude into the discharge or drive side bearing housing when changing a 3-piece pump screw. This eliminates internal lip seal damage and provides a clean alternative to bearing contamination that could occur during 1-piece screw replacement. 3-piece pumps screws screw replacement time to approximately 4 man-hours.

Spare 3-piece bearing housing can also be rebuilt on site in a clean shop atmosphere at the convenience of maintenance personnel.



Fuller-Kinyon® pump with 3-piece screw